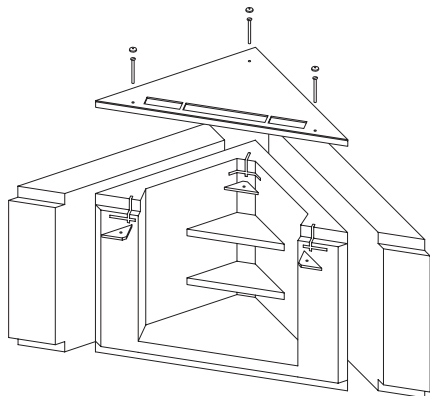
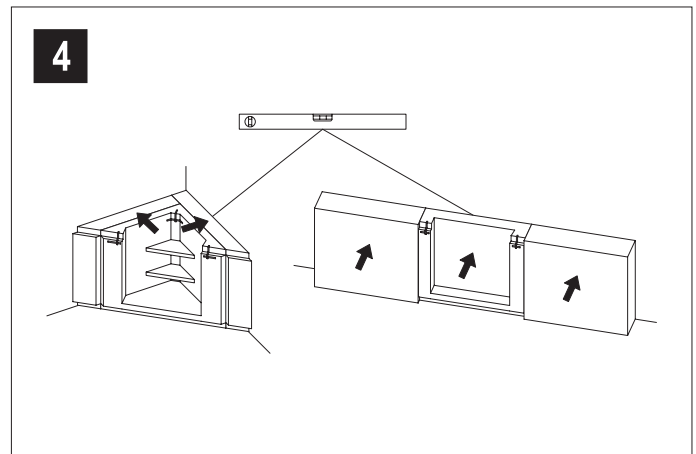
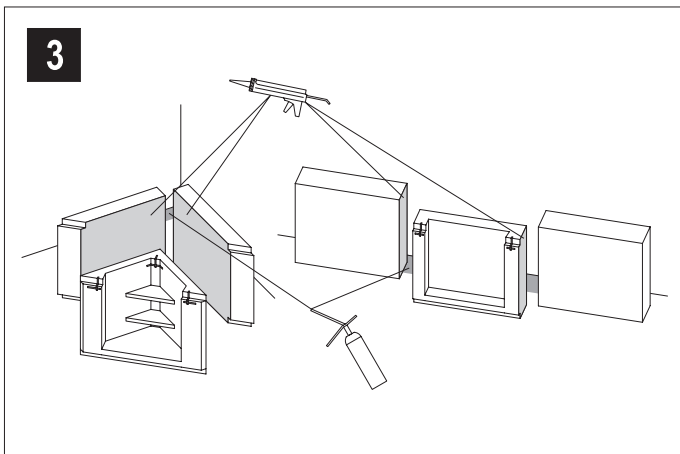
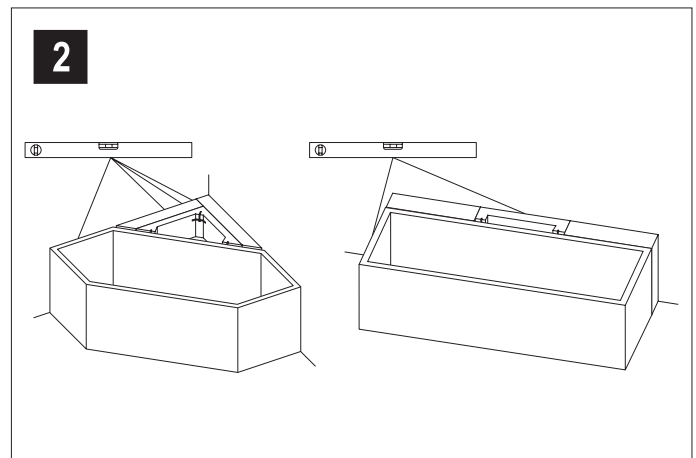
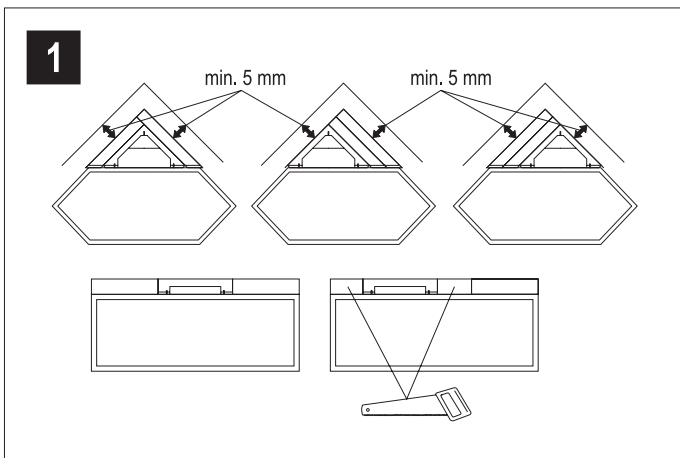
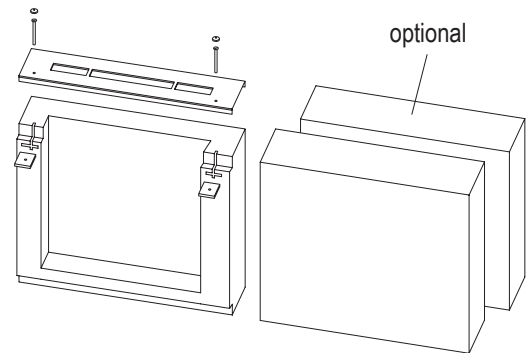
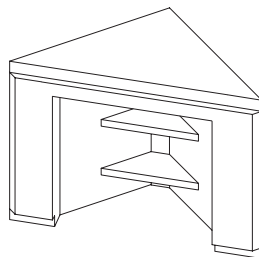


**Einbauanleitung**  
**Mounting instruction**  
**Montagehandleiding**  
**Instructions de montage**  
**Istruzioni di montaggio**

Montageblock  
 Mounting block  
 Montageblok  
 Bloc de montage  
 Blocco di montaggio

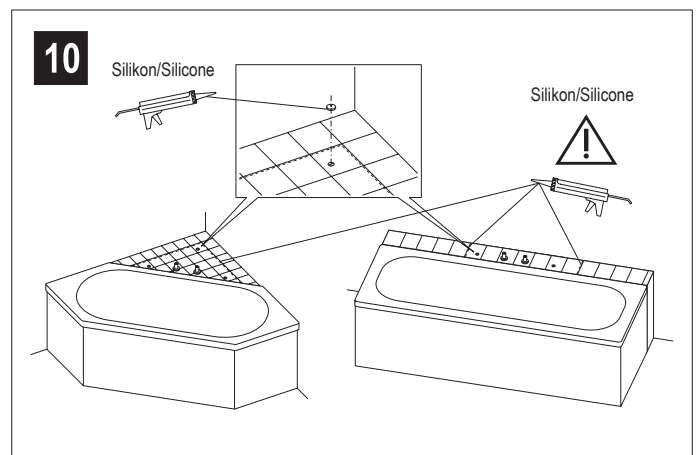
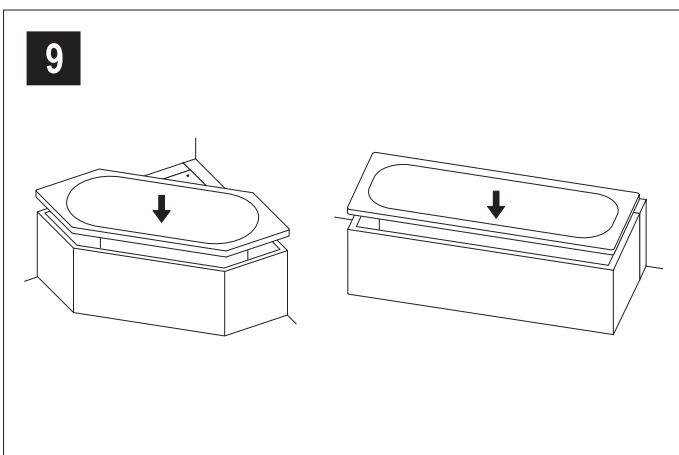
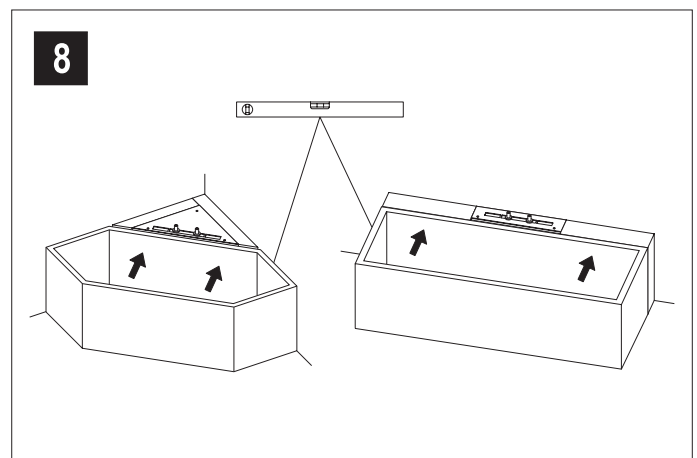
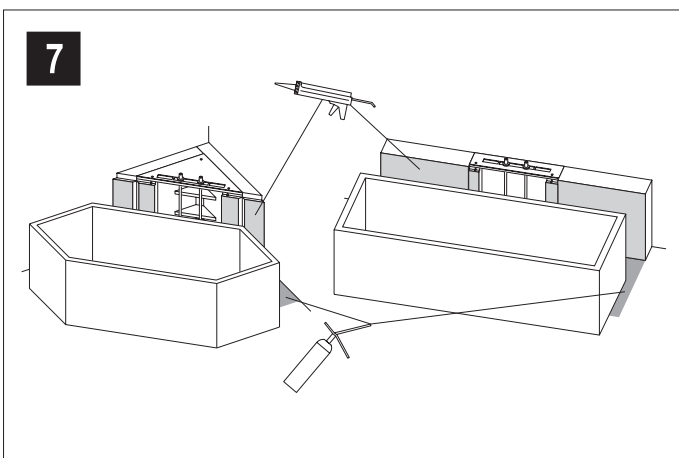
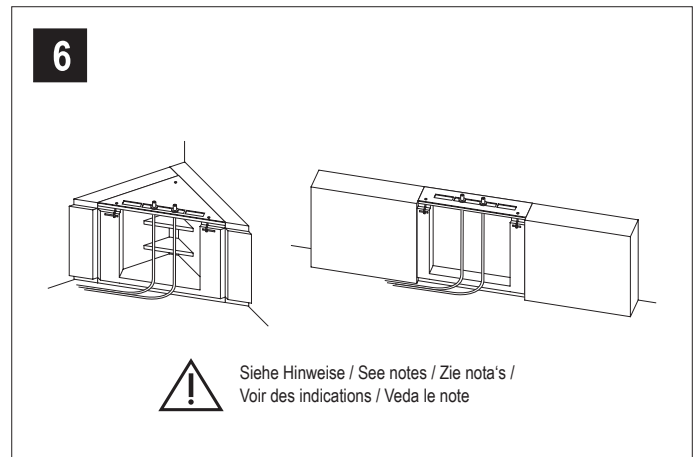
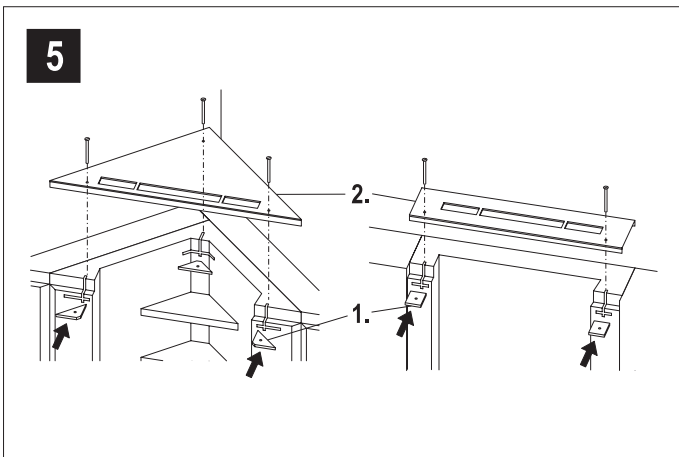


ohne Amaturenaufnahme  
 without accommodation of fittings  
 zonder opname voor de armatuur  
 sans logement de la robinetterie  
 senza alloggiamento della rubinetteria

























**Einbauanleitung**  
**Mounting instruction**  
**Montagehandleiding**  
**Instructions de montage**  
**Istruzioni di montaggio**

Montageblock  
 Mounting block  
 Montageblok  
 Bloc de montage  
 Blocco di montaggio



# Einbauanleitung Mounting instruction Montagehandleiding Instructions de montage Istruzioni di montaggio

Montageblock  
Mounting block  
Montageblok  
Bloc de montage  
Blocco di montaggio

- |                                                                                                                                                                                                                                                                                                                                                                                                                                                                                                                                                                                                                                                                                                                                                                                                                                                                                                                                                                                                                                                                                                                                                                                                                                                                                                                                                                                                                                                                                                                                                                                                                                                                                                                                                                                                                                                                                                                                                                                                                                                                                                                                                                                                                                                                                                                                                                                                                                                                                                                                                                         |                                                                                                                                                                                                                                                                                                                                                                                                                                                                                                                                                                                                                                                                                                                                                                                                                                                                                                                                                                                                                                                                                                                                                                                                                                                                                                                                                                                                                                                                                                                                                                                                                                                                                                                                                                                                                                                                                                                                                                                                                                                                                                                                                                                                                                                                                                                                                                                                                                                                                                                                                 |
|-------------------------------------------------------------------------------------------------------------------------------------------------------------------------------------------------------------------------------------------------------------------------------------------------------------------------------------------------------------------------------------------------------------------------------------------------------------------------------------------------------------------------------------------------------------------------------------------------------------------------------------------------------------------------------------------------------------------------------------------------------------------------------------------------------------------------------------------------------------------------------------------------------------------------------------------------------------------------------------------------------------------------------------------------------------------------------------------------------------------------------------------------------------------------------------------------------------------------------------------------------------------------------------------------------------------------------------------------------------------------------------------------------------------------------------------------------------------------------------------------------------------------------------------------------------------------------------------------------------------------------------------------------------------------------------------------------------------------------------------------------------------------------------------------------------------------------------------------------------------------------------------------------------------------------------------------------------------------------------------------------------------------------------------------------------------------------------------------------------------------------------------------------------------------------------------------------------------------------------------------------------------------------------------------------------------------------------------------------------------------------------------------------------------------------------------------------------------------------------------------------------------------------------------------------------------------|-------------------------------------------------------------------------------------------------------------------------------------------------------------------------------------------------------------------------------------------------------------------------------------------------------------------------------------------------------------------------------------------------------------------------------------------------------------------------------------------------------------------------------------------------------------------------------------------------------------------------------------------------------------------------------------------------------------------------------------------------------------------------------------------------------------------------------------------------------------------------------------------------------------------------------------------------------------------------------------------------------------------------------------------------------------------------------------------------------------------------------------------------------------------------------------------------------------------------------------------------------------------------------------------------------------------------------------------------------------------------------------------------------------------------------------------------------------------------------------------------------------------------------------------------------------------------------------------------------------------------------------------------------------------------------------------------------------------------------------------------------------------------------------------------------------------------------------------------------------------------------------------------------------------------------------------------------------------------------------------------------------------------------------------------------------------------------------------------------------------------------------------------------------------------------------------------------------------------------------------------------------------------------------------------------------------------------------------------------------------------------------------------------------------------------------------------------------------------------------------------------------------------------------------------|
| <p> Die Einbaumaße der Wanne, des Wannenträgers und des Montageblocks sind beim Einbau aufeinander abzustimmen.</p> <p> Die einschlägigen Verarbeitungsrichtlinien aller beteiligten Gewerke sind zu berücksichtigen.</p> <p> Für die Installation der Amaturen ist die beiliegende Einbauanleitung des Herstellers zu beachten.</p> <p> Zündquellen vom Montageschaum fernhalten. Nicht rauchen. Treibgase vor Setzen der Bauelemente gut ablüften lassen.</p> <p> The assembly dimensions of bathtub, bathtub carrier and mounting block shall be coordinated during installation.</p> <p> The relevant processing regulations of all trades participating are to be taken into consideration.</p> <p> For the installation of valves and fittings the enclosed mounting instructions of the manufacturer must be adhered to.</p> <p> Keep away ignition sources from PUR foam. Do not smoke. Before placing the structural elements take care to have propellant gases well evacuated.</p> <p> De inbouwmaten van de kuip, de kuipdragers en het montageblok moeten bij de inbouw op elkaar afgestemd worden.</p> <p> Voor inbouw en verwerking van alle betrokken onderdelen moeten de betreffende aanwijzingen en richtlijnen worden aangehouden.</p> <p> Voor de installatie van de appendages moet de bijliggende montagehandleiding van de fabrikant worden aangehouden.</p> <p> Vonken en open vuur uit de buurt van het montageschuim houden. Niet roken. Vóór inbouw van de bouwelementen wachten, tot de ruimte vrij van drijfgassen is.</p> | <p> Lors de l'installation, les dimensions de montage du bassin, du support de bassin et du bloc de montage doivent être ajustées l'une en fonction de l'autre.</p> <p> Il faut tenir compte des directives de mise en oeuvre applicables de tous les métiers participant aux travaux.</p> <p> En ce qui concerne l'installation de la robinetterie, il faut observer les instructions de montage du fabricant jointes au matériel.</p> <p> Les sources d'allumage sont à tenir éloignées de la mousse de montage. Ne pas fumer. Laisser s'évacuer bien les gaz propulseurs avant la pose des éléments de construction.</p> <p> All'installazione le dimensioni di montaggio della vasca, del supporto di vasca e del blocco di montaggio devono essere adattate l'una all'altra.</p> <p> I regolamenti di lavorazione rilevanti di tutti i mestieri partecipanti devono essere presi in considerazione.</p> <p> Per l'installazione dei rubinetti le istruzioni di montaggio del costruttore devono essere osservate.</p> <p> Tenere a distanza sorgenti d'accensione da schiuma di montaggio. Non fumare. Ben evacuare gas propellanti prima di mettere gli elementi costruttivi.</p> <p> Konstruktionskleber (PU) oder Fliesenkleber (flexibel)<br/>Structural adhesive (PU) or tile adhesive (flexible)<br/>Constructielijm (PU) of tegellijm (flexibel)<br/>Colle de construction (PU) ou colle à carreaux (flexible)<br/>Collante per costruzioni (PU) o colla per piastrelle (flessibile)</p> <p> Wannenträgermontageschaum<br/>Tub carrier PUR foam<br/>Montageschuim voor badkuipdragers<br/>Mousse de montage pour support de bassin<br/>Schiuma di montaggio supporto vasca</p> |
|-------------------------------------------------------------------------------------------------------------------------------------------------------------------------------------------------------------------------------------------------------------------------------------------------------------------------------------------------------------------------------------------------------------------------------------------------------------------------------------------------------------------------------------------------------------------------------------------------------------------------------------------------------------------------------------------------------------------------------------------------------------------------------------------------------------------------------------------------------------------------------------------------------------------------------------------------------------------------------------------------------------------------------------------------------------------------------------------------------------------------------------------------------------------------------------------------------------------------------------------------------------------------------------------------------------------------------------------------------------------------------------------------------------------------------------------------------------------------------------------------------------------------------------------------------------------------------------------------------------------------------------------------------------------------------------------------------------------------------------------------------------------------------------------------------------------------------------------------------------------------------------------------------------------------------------------------------------------------------------------------------------------------------------------------------------------------------------------------------------------------------------------------------------------------------------------------------------------------------------------------------------------------------------------------------------------------------------------------------------------------------------------------------------------------------------------------------------------------------------------------------------------------------------------------------------------------|-------------------------------------------------------------------------------------------------------------------------------------------------------------------------------------------------------------------------------------------------------------------------------------------------------------------------------------------------------------------------------------------------------------------------------------------------------------------------------------------------------------------------------------------------------------------------------------------------------------------------------------------------------------------------------------------------------------------------------------------------------------------------------------------------------------------------------------------------------------------------------------------------------------------------------------------------------------------------------------------------------------------------------------------------------------------------------------------------------------------------------------------------------------------------------------------------------------------------------------------------------------------------------------------------------------------------------------------------------------------------------------------------------------------------------------------------------------------------------------------------------------------------------------------------------------------------------------------------------------------------------------------------------------------------------------------------------------------------------------------------------------------------------------------------------------------------------------------------------------------------------------------------------------------------------------------------------------------------------------------------------------------------------------------------------------------------------------------------------------------------------------------------------------------------------------------------------------------------------------------------------------------------------------------------------------------------------------------------------------------------------------------------------------------------------------------------------------------------------------------------------------------------------------------------|